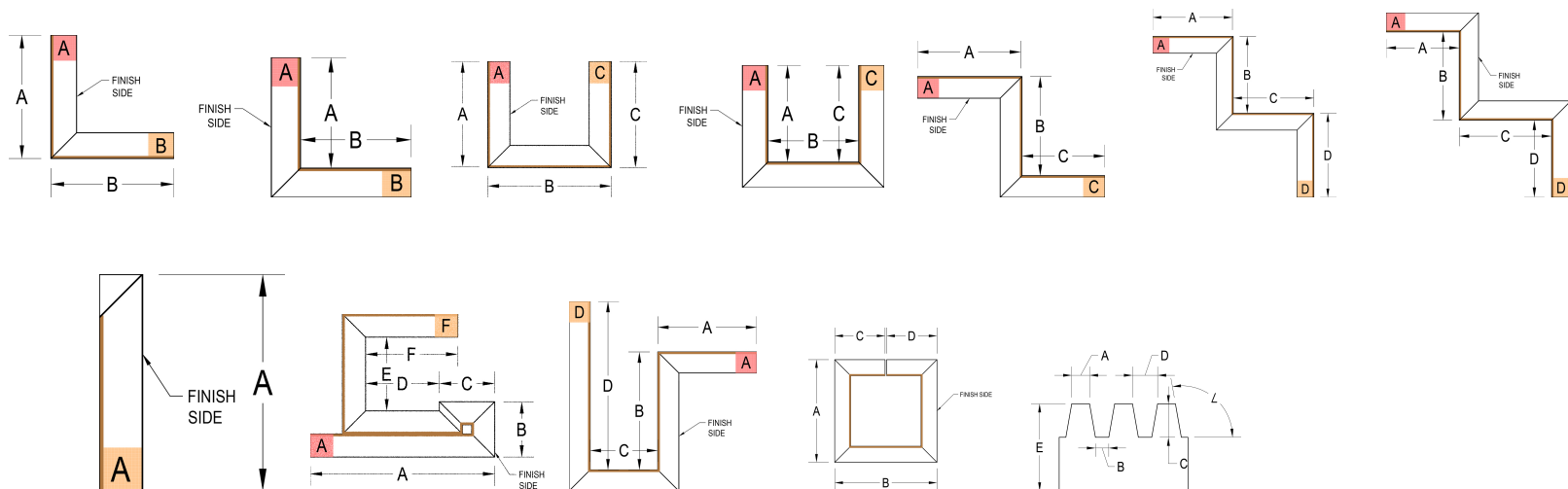


# EXACT EDGE

— PREFORMED DRYWALL SHAPES —

## ORDER FORM

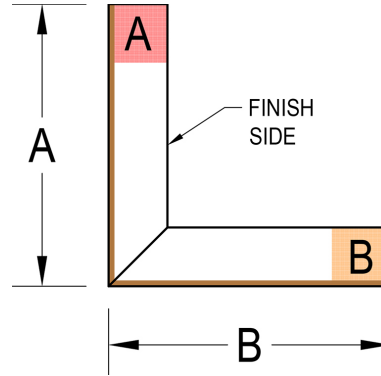
JOB NAME	
JOB NUMBER	
CONTACT NAME	
PHONE	
EMAIL	
ORDER DATE	
NEED DATE	



**Before submitting, check this box to acknowledge that all measurements and quantities on this form are correct.**

# L INSIDE

- All dimensions must be listed in inches
- The total of A + B must = 48" or less
- A 54" board can be used if A + B = more than 48" and less than 54"
- Standard profile lengths are 96" (8'), 120" (10'), and 144" (12')
- Custom profile lengths will incur additional cut charges
- Unless noted, all shapes will have 1 factory edge minimum
- If using pan head framing screws, add 1/16" to measurements



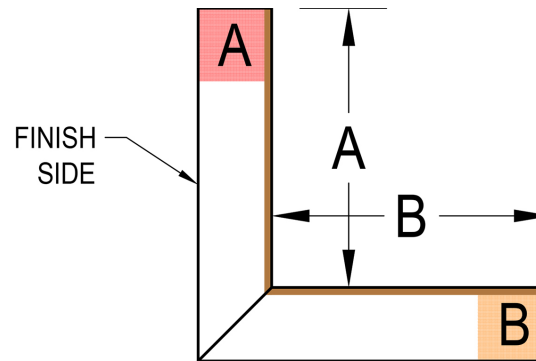
JUMP TO

A (in inches)	B (in inches)	PROFILE LENGTH (in inches)	QTY	THICKNESS	BOARD TYPE	A SIDE FINISH	B SIDE FINISH

# L OUTSIDE

JUMP TO

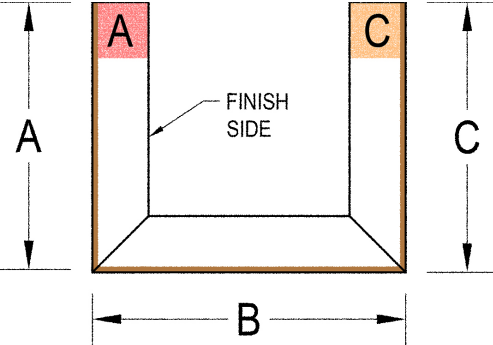
- All dimensions must be listed in inches
- The total of A + B must = 46.75" or less
- A 54" board can be used if A + B = more than 46.75" and less than 52.75"
- Standard profile lengths are 96" (8'), 120" (10'), and 144" (12')
- Custom profile lengths will incur additional cut charges
- Unless noted, all shapes will have 1 factory edge minimum
- If using pan head framing screws, add 1/16" to measurements



A (in inches)	B (in inches)	PROFILE LENGTH (in inches)	QTY	THICKNESS	BOARD TYPE	A SIDE FINISH	B SIDE FINISH

# U INSIDE

JUMP TO

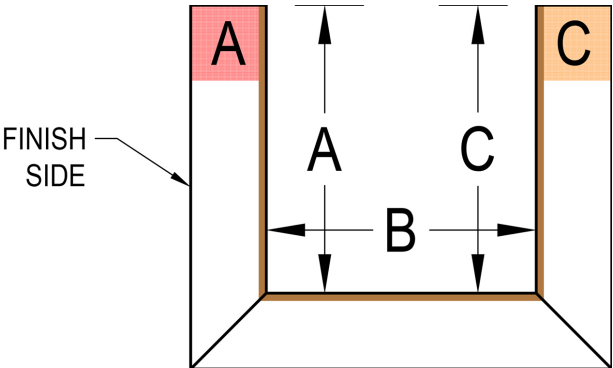


- All dimensions must be listed in inches
- The total of A + B + C must = 48" or less
- A 54" board can be used if A + B = more than 48" and less than 54"
- Standard profile lengths are 96" (8'), 120" (10'), and 144" (12')
- Custom profile lengths will incur additional cut charges
- Unless noted, all shapes will have 1 factory edge minimum
- If using pan head framing screws, add 1/16" to measurements

A (in inches)	B (in inches)	C (in inches)	PROFILE LENGTH (in inches)	QTY	THICKNESS	BOARD TYPE	A SIDE FINISH	C SIDE FINISH

# U OUTSIDE

- All dimensions must be listed in inches
- The total of A + B must = 45.5" or less
- A 54" board can be used if A + B = more than 45.5" and less than 51.5"
- Standard profile lengths are 96" (8'), 120" (10'), and 144" (12')
- Custom profile lengths will incur additional cut charges
- Unless noted, all shapes will have 1 factory edge minimum
- If using pan head framing screws, add 1/16" to measurements

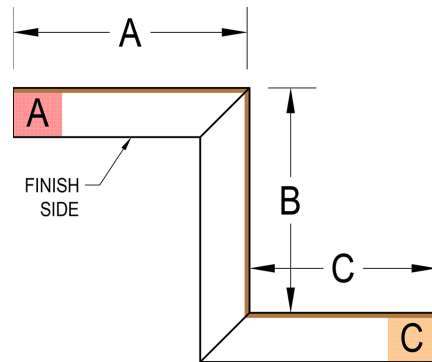


JUMP TO

A (in inches)	B (in inches)	C (in inches)	PROFILE LENGTH (in inches)	QTY	THICKNESS	BOARD TYPE	A SIDE FINISH	C SIDE FINISH

# Z

- All dimensions must be listed in inches
- The total of A + B must = 46.75" or less
- A 54" board can be used if A + B = more than 46.75" and less than 52.75"
- Standard profile lengths are 96" (8'), 120" (10'), and 144" (12')
- Custom profile lengths will incur additional cut charges
- Unless noted, all shapes will have 1 factory edge minimum
- If using pan head framing screws, add 1/16" to measurements



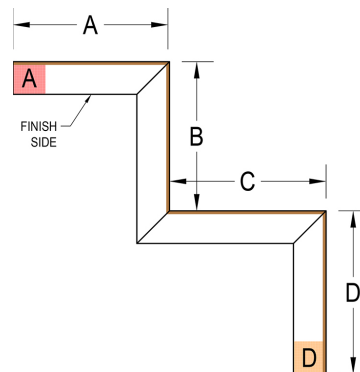
JUMP TO

A (in inches)	B (in inches)	C (in inches)	PROFILE LENGTH (in inches)	QTY	THICKNESS	BOARD TYPE	A SIDE FINISH	C SIDE FINISH

# STEP INSIDE

JUMP TO

- All dimensions must be listed in inches
- The total of A + B must = 46.75" or less
- A 54" board can be used if A + B = more than 46.75" and less than 52.75"
- Standard profile lengths are 96" (8'), 120" (10'), and 144" (12')
- Custom profile lengths will incur additional cut charges
- Unless noted, all shapes will have 1 factory edge minimum
- If using pan head framing screws, add 1/16" to measurements

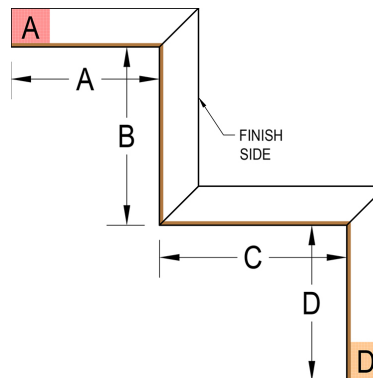


A (in inches)	B (in inches)	C (in inches)	D (in inches)	PROFILE LENGTH (in inches)	QTY	THICKNESS	BOARD TYPE	A SIDE FINISH	D SIDE FINISH

# STEP OUTSIDE

JUMP TO

- All dimensions must be listed in inches
- The total of A + B must = 45.5" or less
- A 54" board can be used if A + B = more than 45.5" and less than 51.5"
- Standard profile lengths are 96" (8'), 120" (10'), and 144" (12')
- Custom profile lengths will incur additional cut charges
- Unless noted, all shapes will have 1 factory edge minimum
- If using pan head framing screws, add 1/16" to measurements

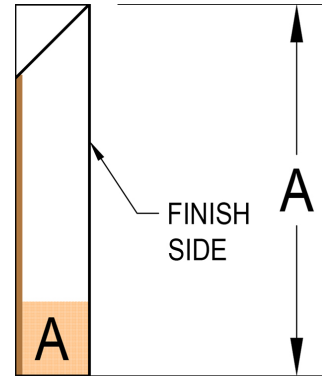


A (in inches)	B (in inches)	C (in inches)	D (in inches)	PROFILE LENGTH (in inches)	QTY	THICKNESS	BOARD TYPE	A SIDE FINISH	D SIDE FINISH



# WINDOW RETURN

- All dimensions must be listed in inches
- The total of A + B must = 47.325" or less
- A 54" board can be used if A + B = more than 47.325" and less than 53.325"
- Standard profile lengths are 96" (8'), 120" (10'), and 144" (12')
- Custom profile lengths will incur additional cut charges
- Unless noted, all shapes will have 1 factory edge minimum
- If using pan head framing screws, add 1/16" to measurements



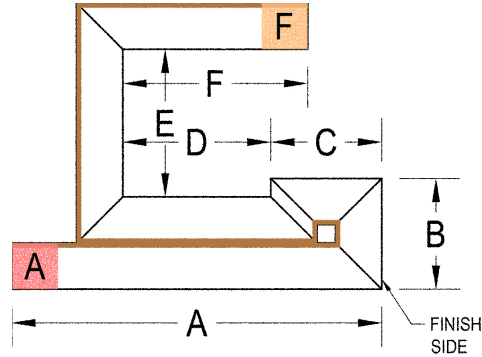
JUMP TO

A (in inches)	PROFILE LENGTH (in inches)	QTY	THICKNESS	BOARD TYPE	A SIDE FINISH

# LIGHT COVE

JUMP TO

- All dimensions must be listed in inches
- The total of A + B must = X" or less
- A 54" board can be used if A + B = more than X" and less than X"
- Standard profile lengths are 96" (8'), 120" (10'), and 144" (12')
- Custom profile lengths will incur additional cut charges
- Unless noted, all shapes will have 1 factory edge minimum
- If using pan head framing screws, add 1/16" to measurements

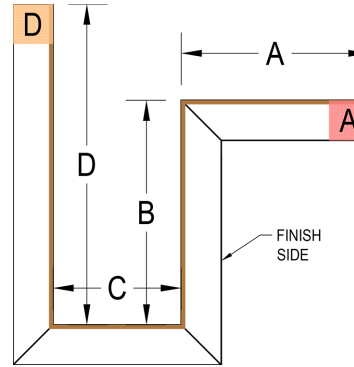


A (in inches)	B (in inches)	C (in inches)	D (in inches)	E (in inches)	F (in inches)	PROFILE LENGTH (in inches)	QTY	THICKNESS	BOARD TYPE	A SIDE FINISH	F SIDE FINISH

# DRAPE POCKET

JUMP TO

- All dimensions must be listed in inches
- The total of A + B must = 45.5" or less
- A 54" board can be used if A + B = more than 45.5" and less than 51.5"
- Standard profile lengths are 96" (8'), 120" (10'), and 144" (12')
- Custom profile lengths will incur additional cut charges
- Unless noted, all shapes will have 1 factory edge minimum
- If using pan head framing screws, add 1/16" to measurements

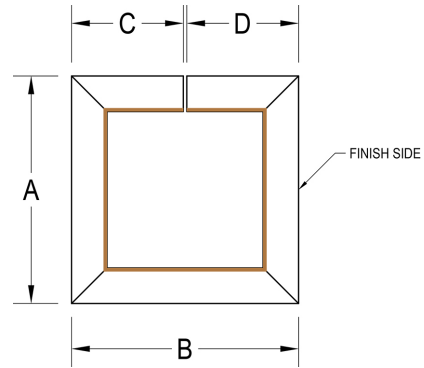


A (in inches)	B (in inches)	C (in inches)	D (in inches)	PROFILE LENGTH (in inches)	QTY	THICKNESS	BOARD TYPE	A SIDE FINISH	D SIDE FINISH

# BOX COLUMN WRAP

JUMP TO

- All dimensions must be listed in inches
- The total of A + B must = 48" or less
- A 54" board can be used if A + B = more than 48" and less than 54"
- Standard profile lengths are 96" (8'), 120" (10'), and 144" (12')
- Custom profile lengths will incur additional cut charges
- Unless noted, all shapes will have 1 factory edge minimum
- If using pan head framing screws, add 1/16" to measurements

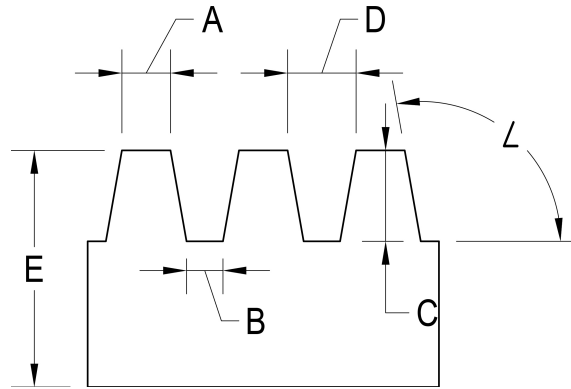


A (in inches)	B (in inches)	C (in inches)	D (in inches)	PROFILE LENGTH (in inches)	QTY	THICKNESS	BOARD TYPE

# CASTLE CUT

JUMP TO

- All dimensions must be listed in inches
- Standard profile lengths are 96" (8'), 120" (10'), and 144" (12')
- Custom profile lengths will incur additional cut charges
- Unless noted, all shapes will have 1 factory edge minimum



A (in inches)	B (in inches)	C (in inches)	D (in inches)	E (in inches)	∠ (degrees)	PROFILE LENGTH (in inches)	QTY	THICKNESS	BOARD TYPE

# CUSTOM

JUMP TO

- Include description of your shape(s) here:

- Attach any applicable drawings to your order email for each custom shape.
- We will be in touch you using the information on the first page with any questions.